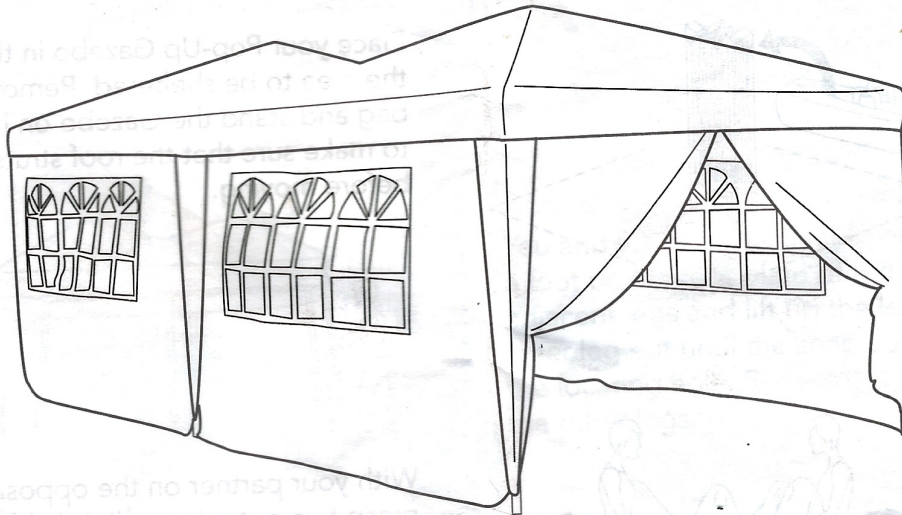


6m x 3m Pop-up Gazebo

Instruction Manual



WARNING

Our products are designed for Garden and Leisure activities. We have no control over the weather or ground conditions when this item is setup. Therefore it is the buyers' responsibility to ensure that the assembly and anchoring of this product is sufficient. As with all other products of this nature this item is designed as a temporary structure and should not be left up overnight when heavy rain or winds could cause significant damage. Expressco Direct Ltd cannot be held responsible for any damage incurred in this manner. We are not liable for any damage to contents you place inside the Gazebo or damage to anything in the surrounding area. The 1 year warranty covers manufacturing faults but this does not apply to damage occurred by misuse or when used against our recommendations or instructions.

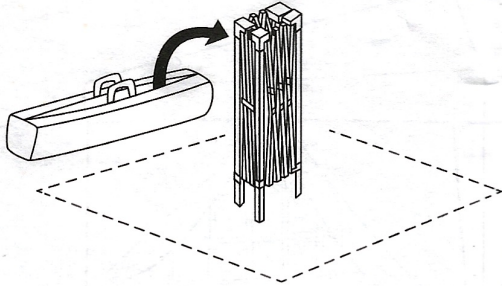
PLEASE NOTE

We advise that for the initial use, the frame should be put up without the cover to familiarise yourself with its operation.

How to set up

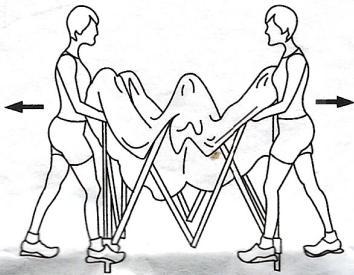
Follow these instructions carefully to avoid pinching your hands or fingers in any of the moving parts as the frame opens and closes. Putting up the Pop-Up Gazebo requires two people (minimum).

1



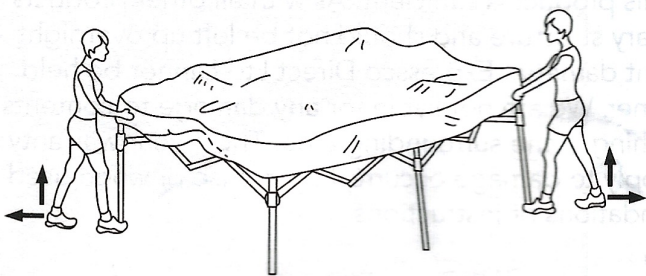
Place your Pop-Up Gazebo in the centre of the area to be sheltered. Remove the carry bag and stand the Gazebo on its feet. Check to make sure that the roof struts are not stuck before moving.

2



With your partner on the opposite side, grasp two outer legs, slightly lift the frame off the ground and take a small step backwards. Be careful not to pull backwards too hard as this will result in the side supports bending.

3



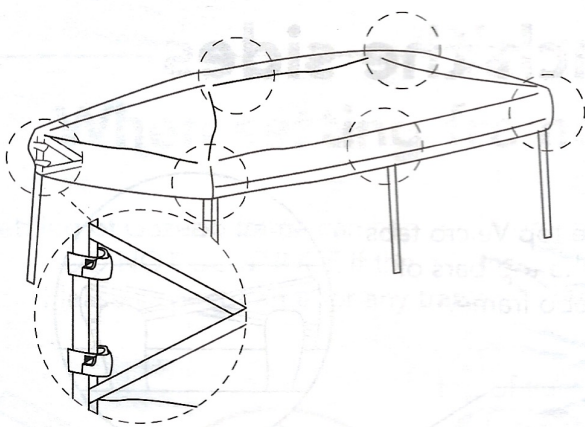
Push the top and bottom of the diamond formed by side supports together. Then move to the opposite corner and do the same, move from one corner pole to the other taking a small step backwards each time until the Gazebo is almost fully open.

4



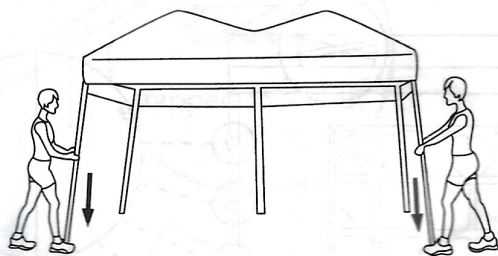
Engage the slider at each corner by pushing up with one hand while holding down the top of the leg with the other hand. A snap button will engage in the locating hole. Repeat this operation on the remaining legs.

5



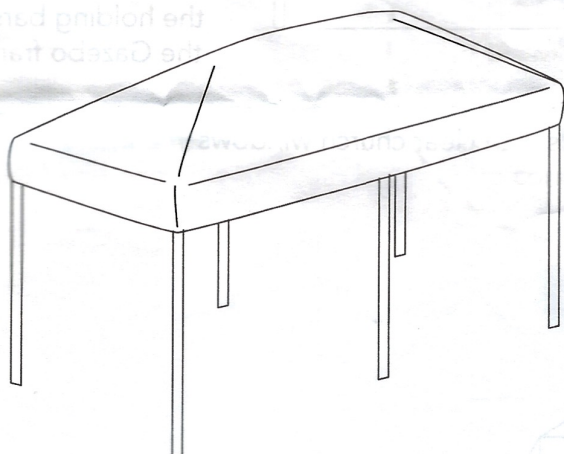
Place the cover over frame. Attach the Velcro tabs, located on the underside of the top cover, around the frame struts.

6



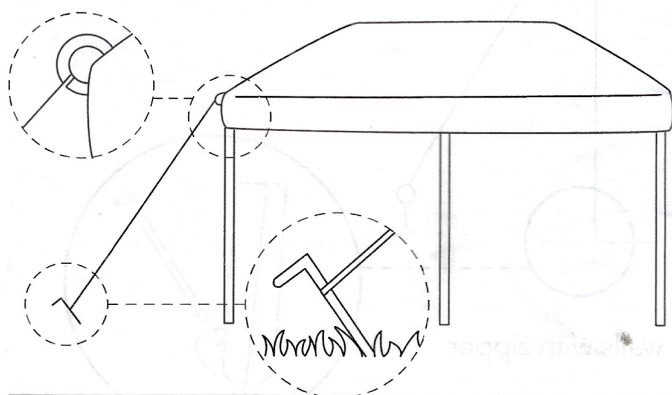
You and your partner should each place a foot on the foot plate of the bottom of adjacent legs and lift up the leg, sliding the inner leg out until the snap button locks in the locating hole. Repeat this operation for the other legs.

7



Square up the Pop-Up Gazebo.

8

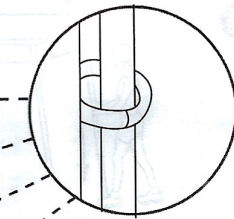
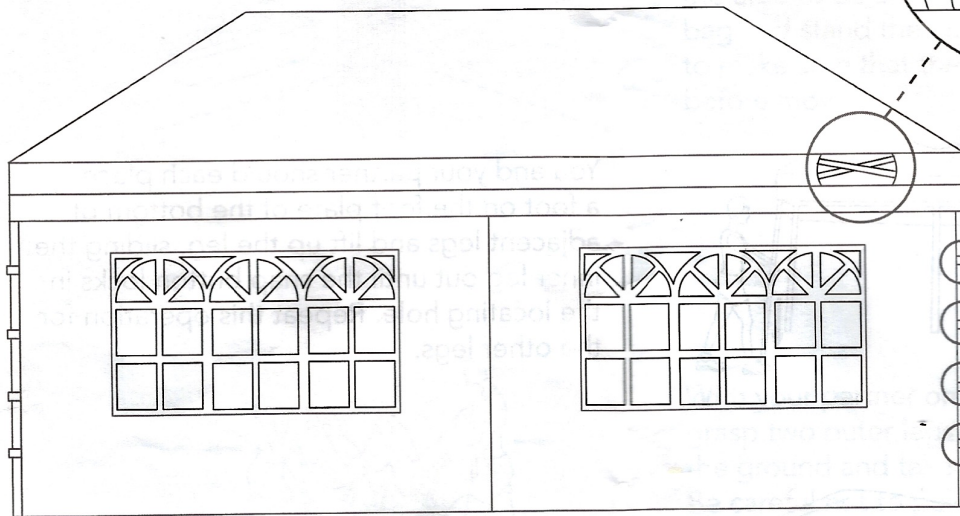
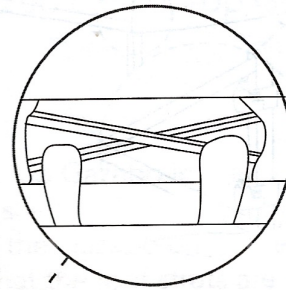


Use the guy ropes attached to the ring at each corner of the roof cover and stakes, to secure your Pop-Up Gazebo to the ground or just use the stakes through the hole in each leg foot.

The roof canopy has been fitted with 'storm drain' eyelets to help prevent water pooling up on the roof in extreme weather conditions – **these should not be blocked.**

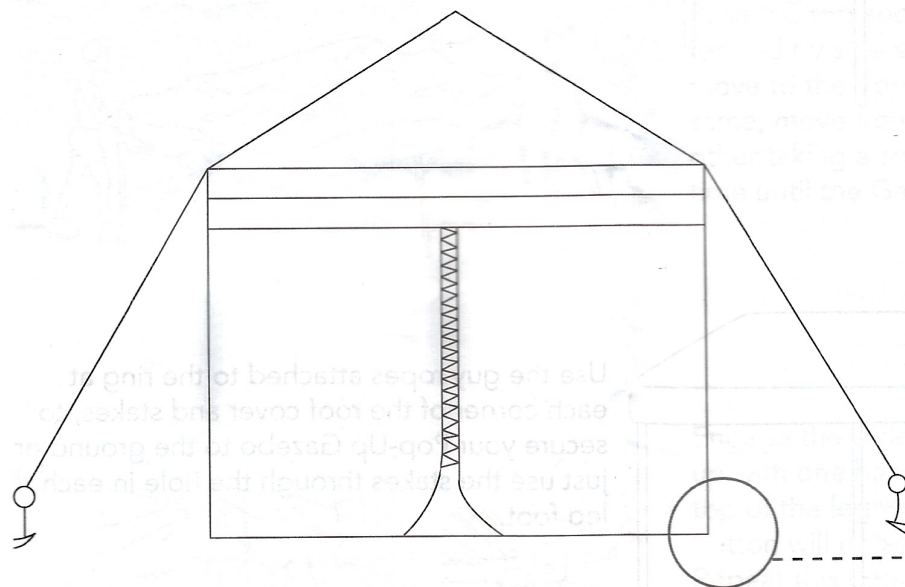
How to attach the sides

Wrap the top Velcro tabs around the top bars of the Gazebo frame.

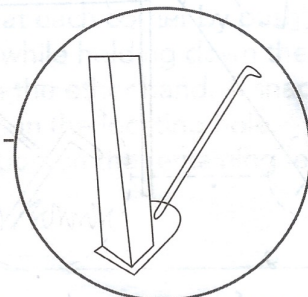


Wrap the side Velcro tabs around the holding bars of the Gazebo frame.

The Pop-Up Gazebo includes 4 removable side walls with clear church windows



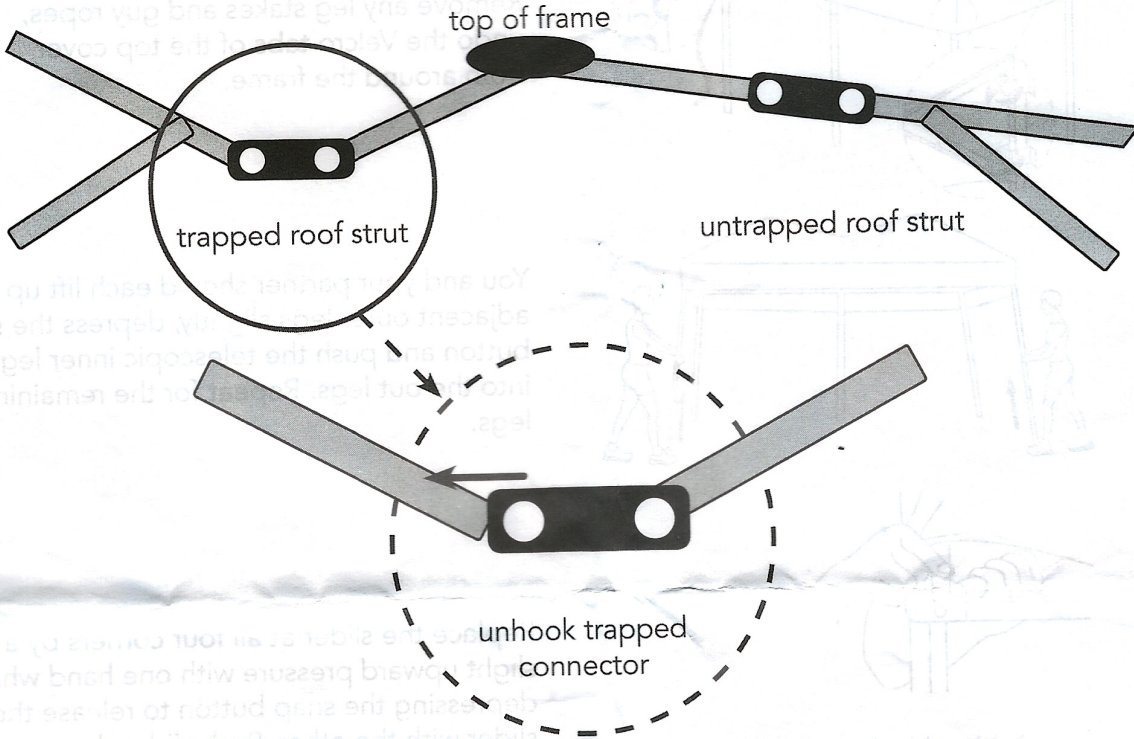
The Pop-Up Gazebo includes 2 removable side walls with zipper



Warning

When setting frame up for first time

Settling of Gazebo frame can happen in progress, resulting in roof strut getting trapped.
DO NOT CONTINUE if there is resistance setting up frame for the first time.
Please inspect frame for any trapped connections and release where necessary.



Each partner should grasp the top of the diamond (see diagram) on the opposite side and slightly lift up. Shake the canopy a little. Full hands apart while stepping towards you. Partner until the unit is three quarters closed.

Grasp the outer legs. Slightly lift off the ground and push together to fully close.

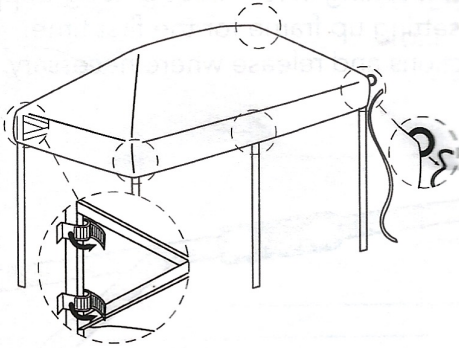
Finally having made sure the canopy material is completely dry the return your fold up cover to its storage bag.



How to take down

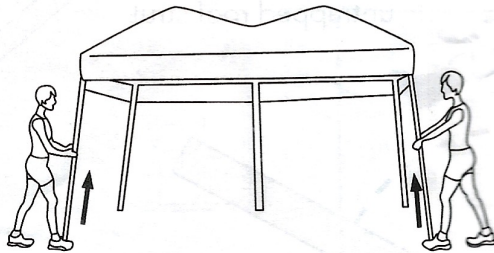
CAUTION: Attempting to put up the Pop-Up Gazebo in windy conditions may be hazardous and could result in injury and/or damage to the product.

1



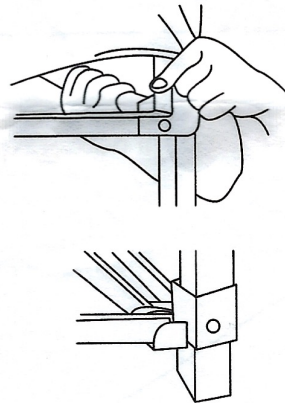
Remove any leg stakes and guy ropes, undo the Velcro tabs of the top cover from around the frame.

2



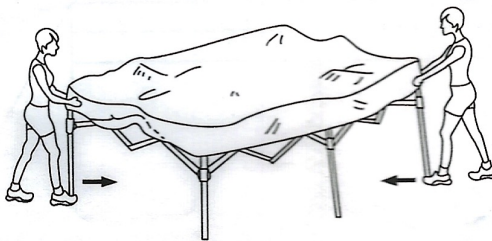
You and your partner should each lift up two adjacent outer legs slightly, depress the snap button and push the telescopic inner legs into the out legs. Repeat for the remaining legs.

3



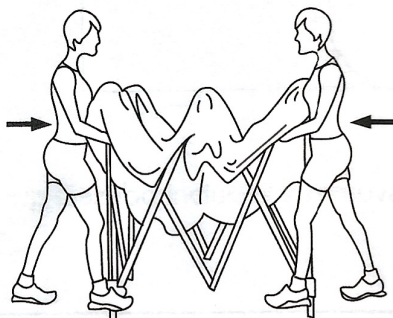
Replace the slider at all four corners by a slight upward pressure with one hand while depressing the snap button to release the slider with the other. Push slider down past the snap button.

4



Each partner should grasp the top of the diamond (see diagram) on the opposite side and slightly lift up. Shake the canopy a little. Pull hands apart while stepping towards your partner until the unit is three quarters closed.

5



Grasp the outer legs. Slightly lift off the ground and push together to fully close.

Finally having made sure the canopy material is completely dry the return your fold up cover to its storage bag.

For further
information,
additional parts
and accessories
or other queries:

PHONE

01604 537900

WEBSITE

www.garden-camping.com

E-MAIL

sales@garden-camping.com

ADDRESS

Unit 1, Redbourne Park
Liliput Road
Brackmills Ind. Est.
Northampton
NN4 7DT

SCAN FOR
WEBSITE

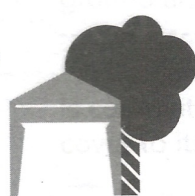


FOLLOW
US



expressco
direct

Expressco Direct Ltd 2016 ©
All rights reserved



garden
& camping